



**Sunshade
Experts**

en 25-03-2019

Installation manual



























MARSALA



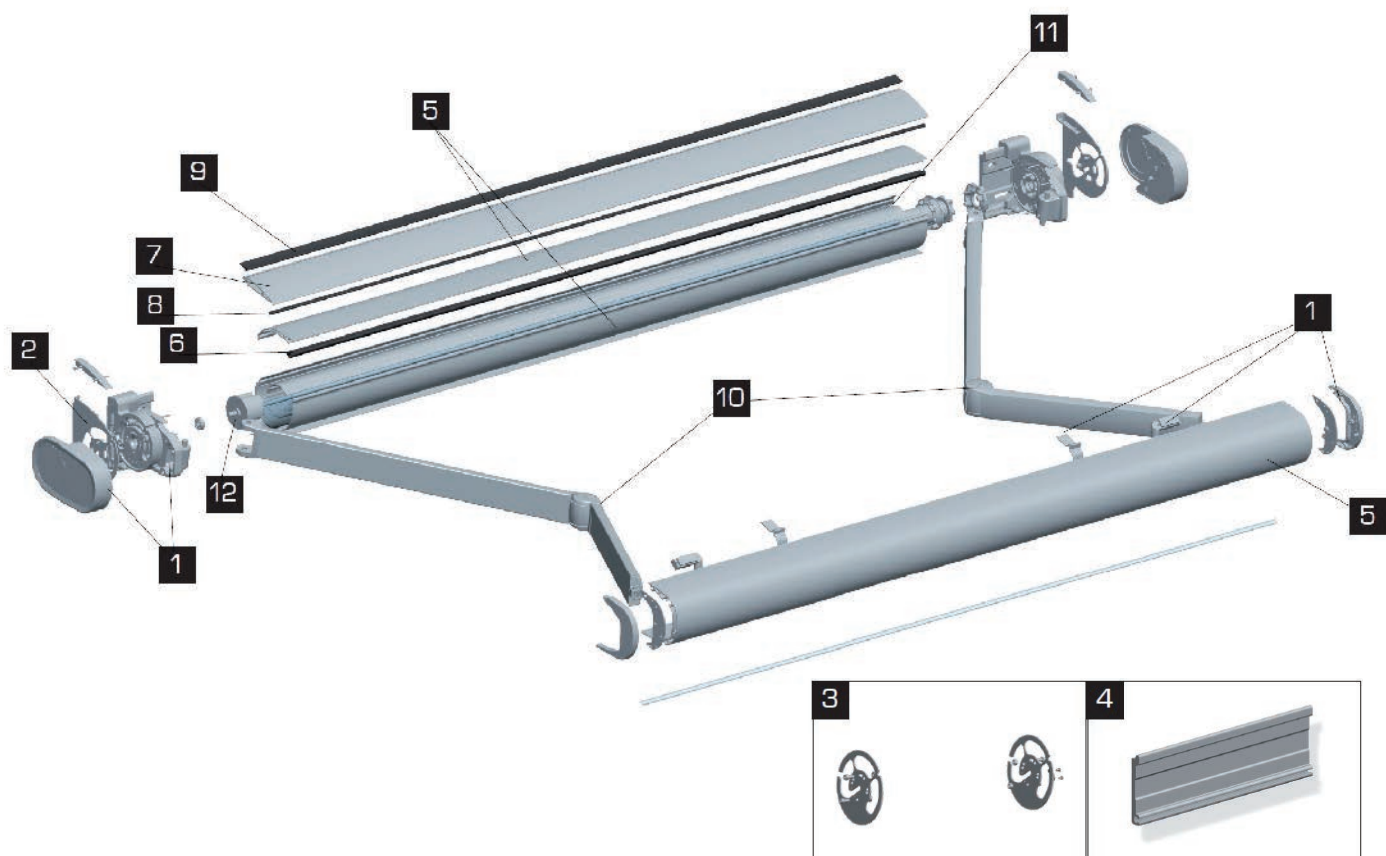


The design of the MARSALA cassette awning is inspired by oblique shapes of planetary orbits. The adjustment of the inclination angle can be modified through its rack system even the cassette is closed. This model allows a width of 6.00 m. with no need of intermediate supports and 4.00 m. projection. Additional complementary top profile to completely cover the gap between the cassette profile and the back wall. All side caps are made in lacquered aluminium for a higher resistance and state-of-the-art design.

Icon legend

	Use with sun		Splendor 300		Information
	Don't use with snow		Splendor 400 Onyx		Made in Europe
	Don't use with rain		WIN		CE standards
	Don't use with hail		ART-500		Inox
	Use with sun and rain		EVO front profile		Width
	Class by N. of cycles		Univers front profile		Projection
	Crank		28 Km/h		2 years of warranty
	Motorized		38 Km/h		3 years of warranty
	Danger! Strong arm tension				Eco-friendly

Product parts



Nomenclature

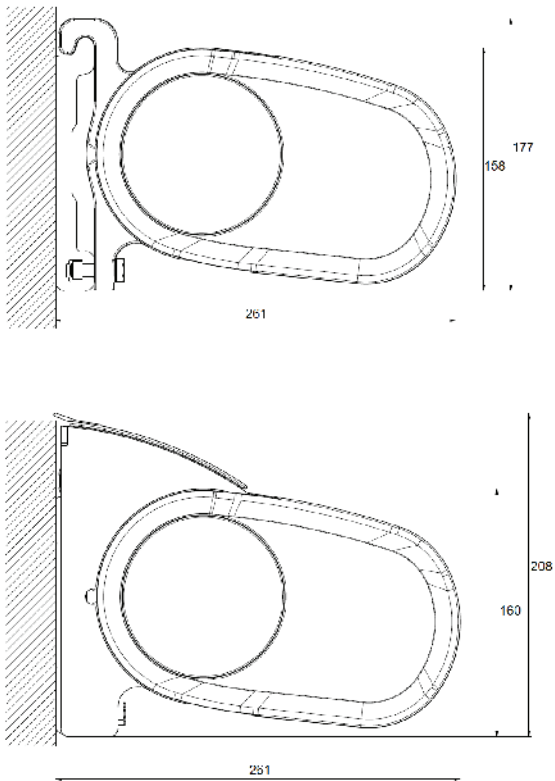
- 1** MARSALA support set and caps.
- 2** Lux line 400 top cover Support set
- 3** Supl. MARSALA Support
- 4** Long fixing plate for cassette
- 5** Cassette profiles kit
- 6** Cassete rubber sealant profile
- 7** Top cover (for front fixing)
- 8** Top cover sealing profile
- 9** Sealing profile to the wall
- 10** Arms
- 11** Rolling tube
- 12** Roller end Bearing

THIS MODEL CAN ALSO BE ASSEMBLED WITH ONYX ARMS

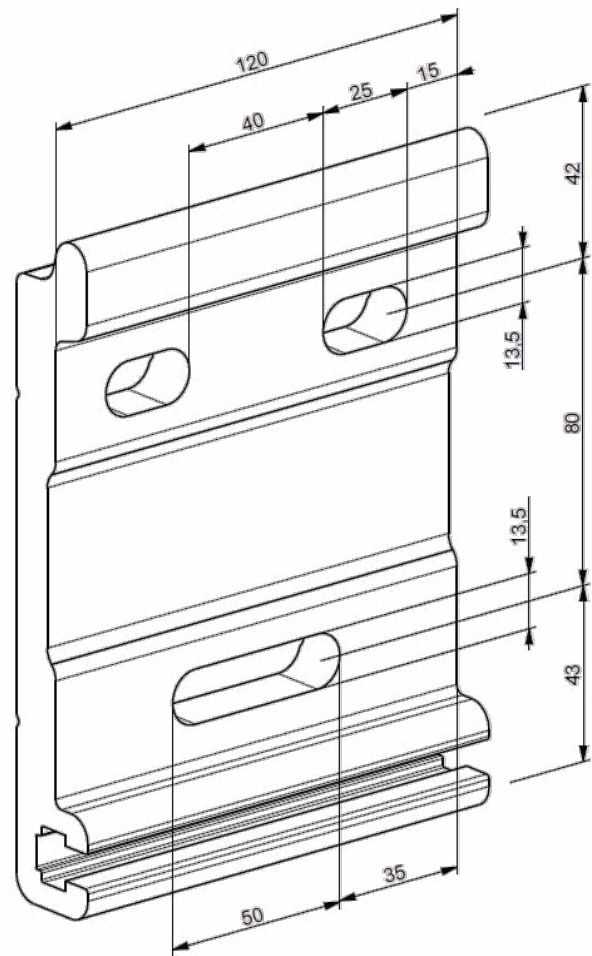
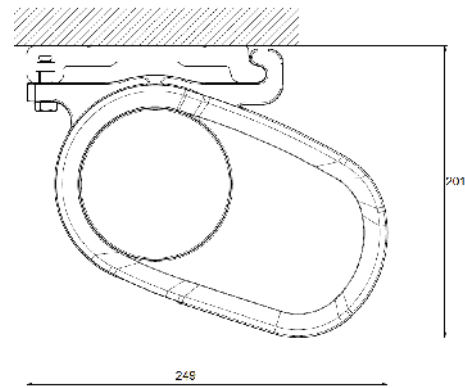




WALL MOUNTING (mm)



CEILING MOUNTING (mm)



WALL- CEILING FIXING PLATE

Motor selection charts

Ø 70mm rolling tube

Arms 2		Width (m)											
		2,00	2,50	3,00	3,50	4,00	4,50	5,00	5,50	6,00	6,50	7,00	
Projec- tion (m)	1,50	30	30	30	30	30	30	30	30	30	30	30	30
	2,00		30	30	30	30	30	30	30	30	30	30	30
	2,50		30	30	35	35	35	35	35	35	35	35	35
	3,00		35	35	35	35	40	40	40	40	40	40	40
	3,50		40	40	40	40	40	40	40	40	50	50	50
	4,00		40	40	40	40	50	50	50	50	50	50	50

Arms 2		Width (m)											
		2,00	2,50	3,00	3,50	4,00	4,50	5,00	5,50	6,00	6,50	7,00	
Projec- tion (m)	1,50	30	30	30	30	30	30	30	30	30	30	30	30
	2,00		30	30	35	35	35	35	35	35	35	35	35
	2,50		35	35	35	40	40	40	40	40	40	40	40
	3,00		40	40	40	40	50	50	50	50	50	50	50
	3,50		50	50	50	50	50	50	50	50	50	50	50
	4,00		50	50	50	50	50	50	50	50	50	50	50

Classification according to European standards: EN 13.561:2015



M		
Arm projection (m)	Width	Class
4,00	6,00	C.1

Information about cycles and class



The arms have a protective band for correct identification:

GREEN: Right hand side viewed from outside

RED: Left hand side viewed from outside



NEVER EXTRACT THE SAFETY TENSION BANDS UNTIL THE ARM HAS BEEN FIXED TO THE FRONT PROFILE.

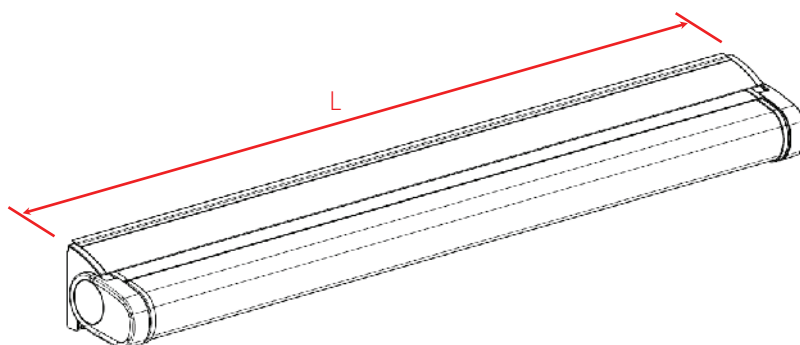
Recommended tools and accessories for installation procedure

i

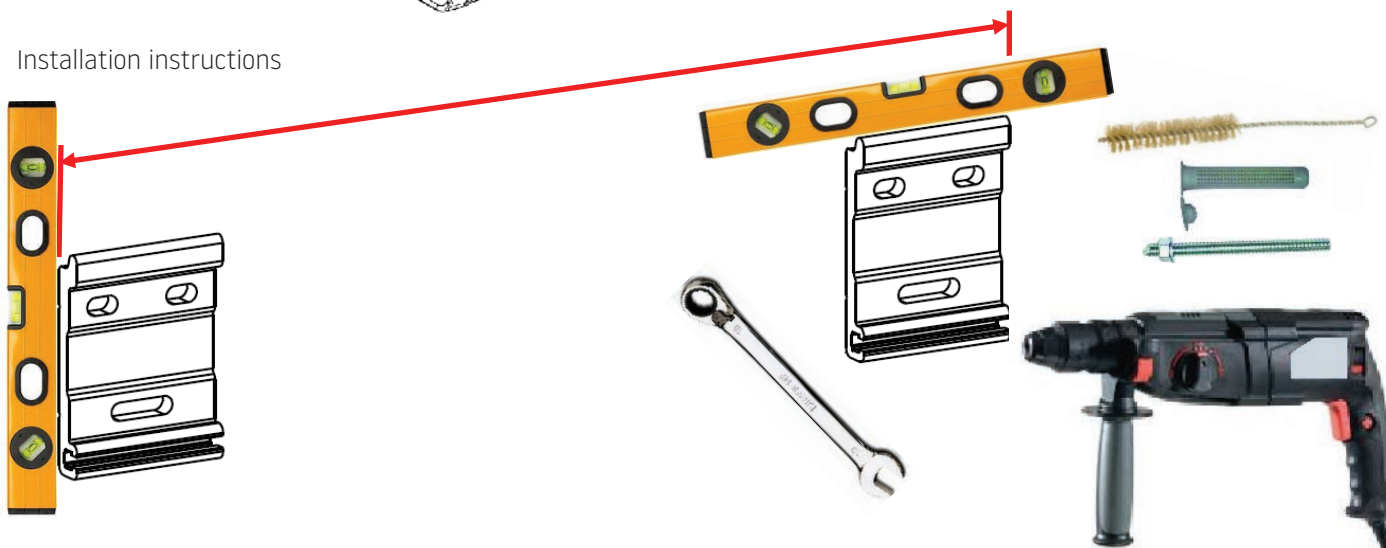


Width

Total width (L)



Installation instructions

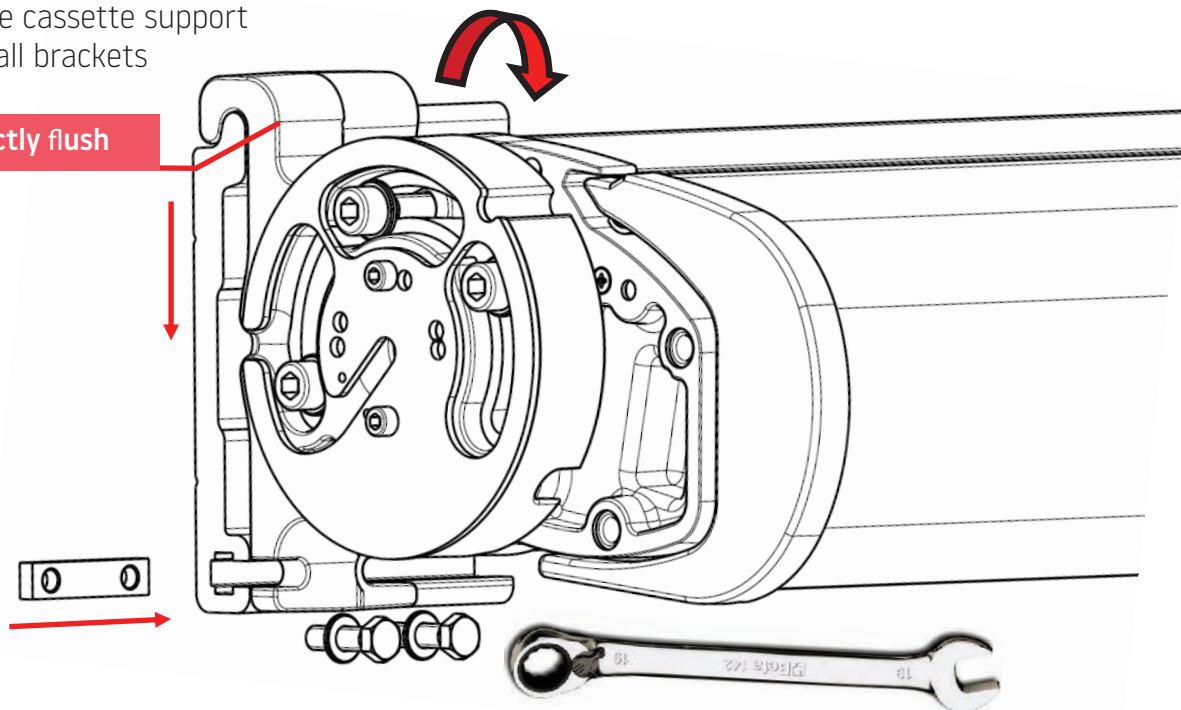


The distance between the exterior part of the wall plates should be: $L - 36$ mm, when $L = \text{total width}$

Installation instructions

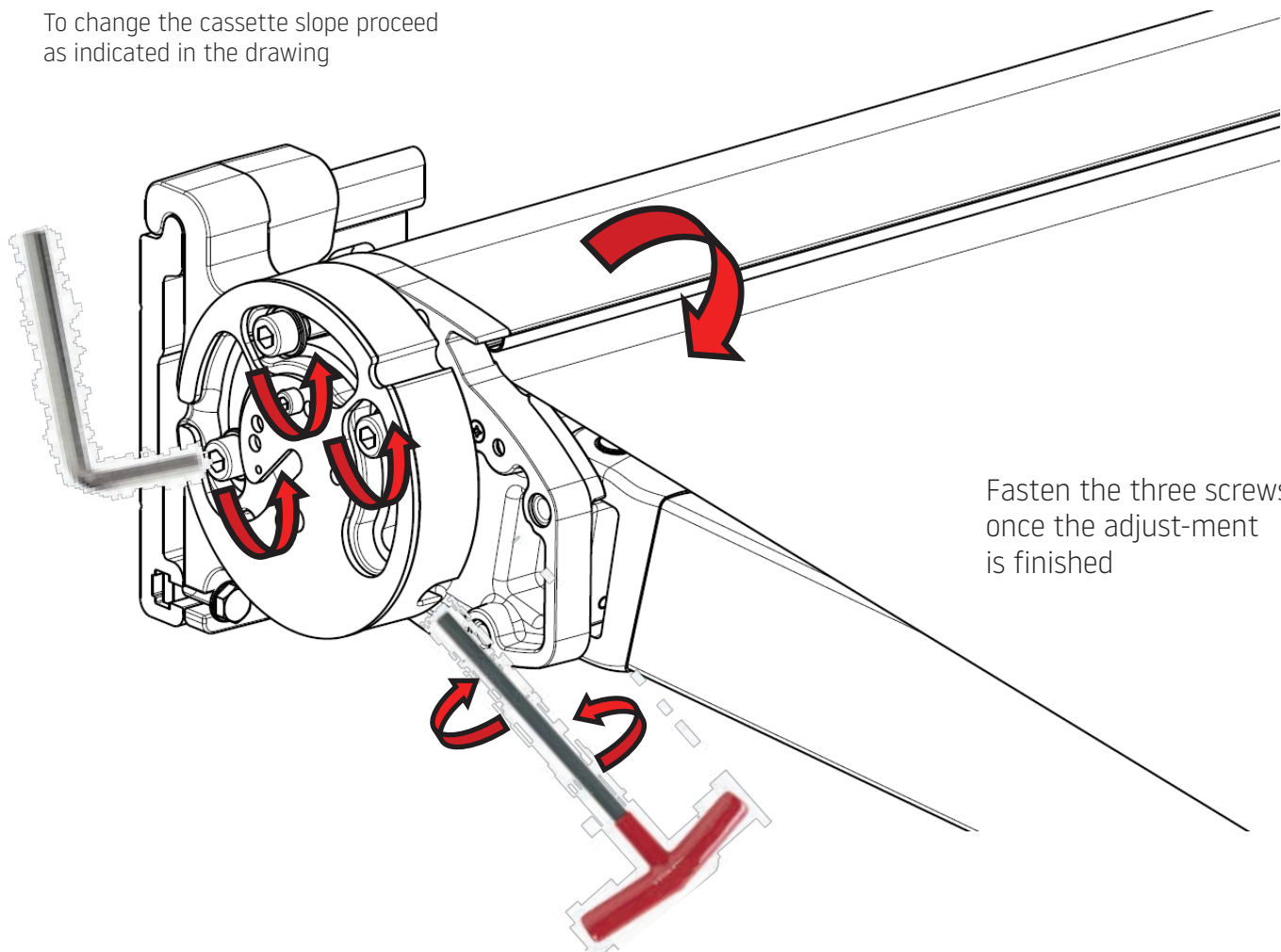
Fixing the cassette support to the wall brackets

Perfectly flush



Installation instructions

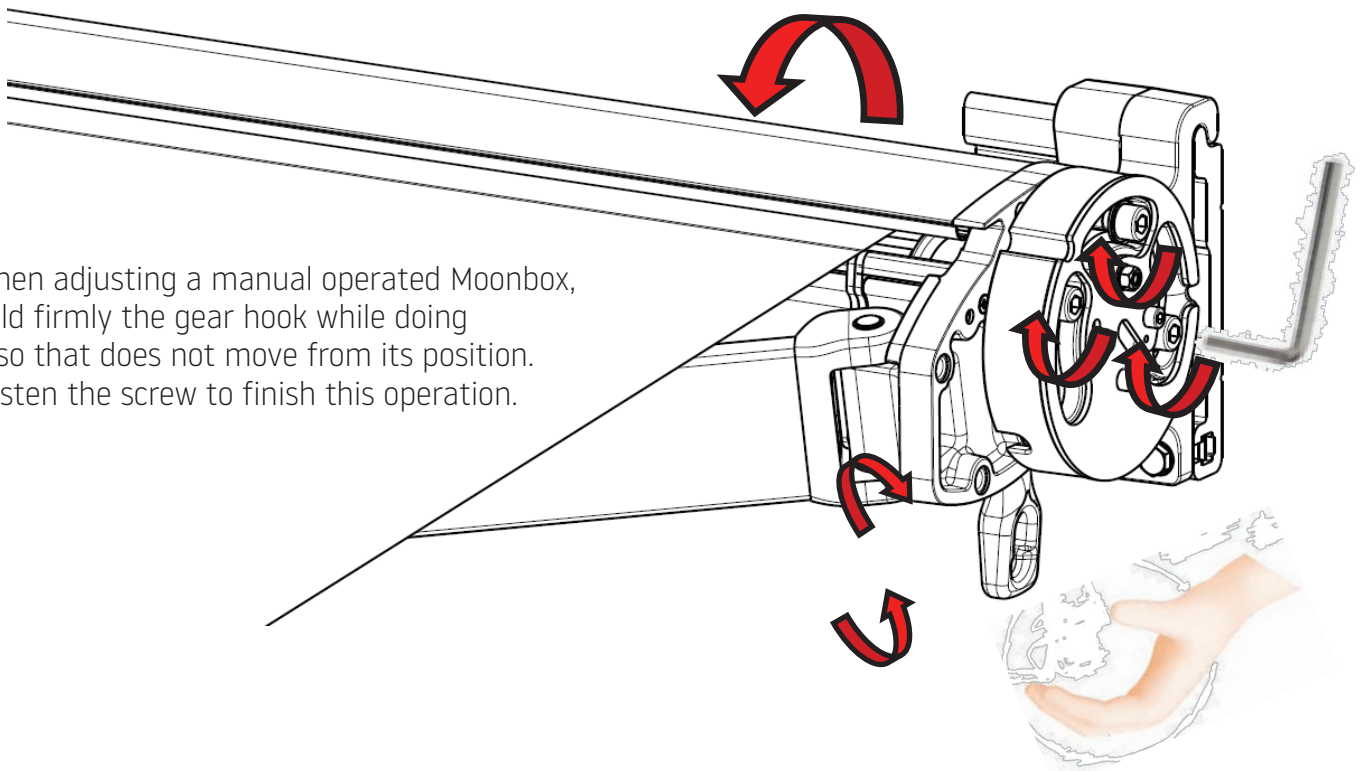
To change the cassette slope proceed as indicated in the drawing



Fasten the three screws once the adjustment is finished

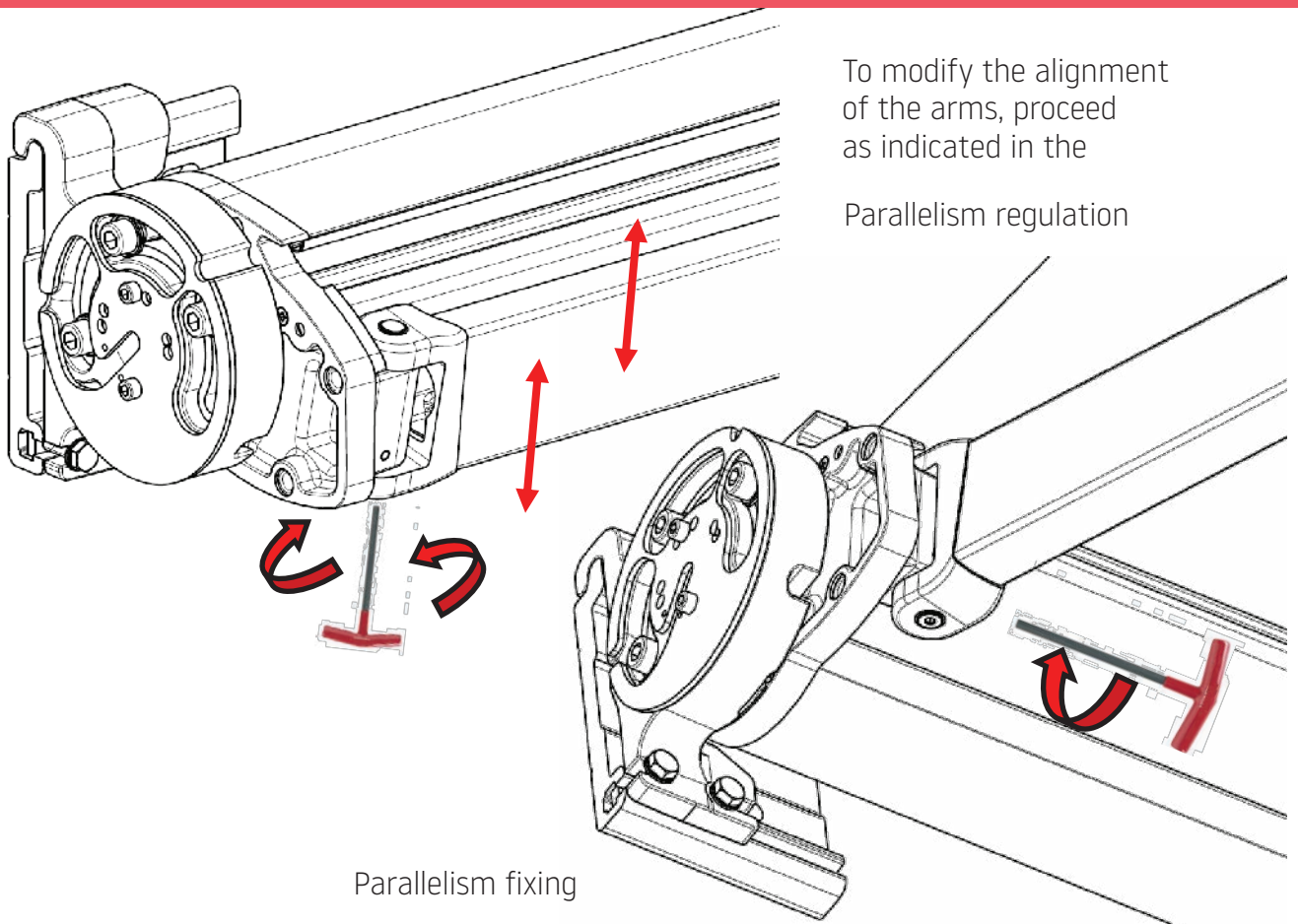
Installation instructions

When adjusting a manual operated Moonbox, hold firmly the gear hook while doing it so that does not move from its position. Fasten the screw to finish this operation.



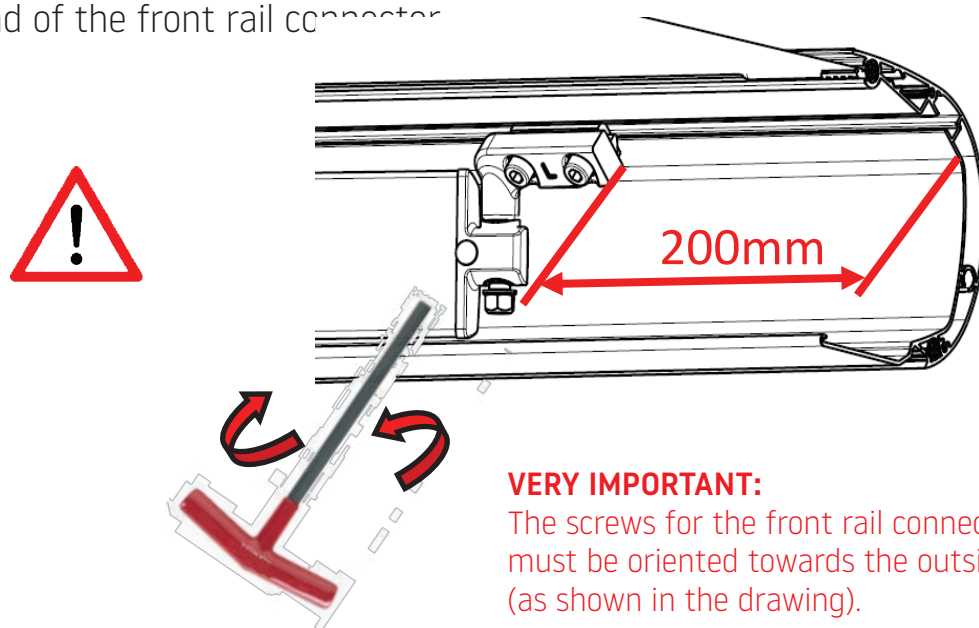
Installation instructions

To modify the alignment of the arms, proceed as indicated in the
Parallelism regulation



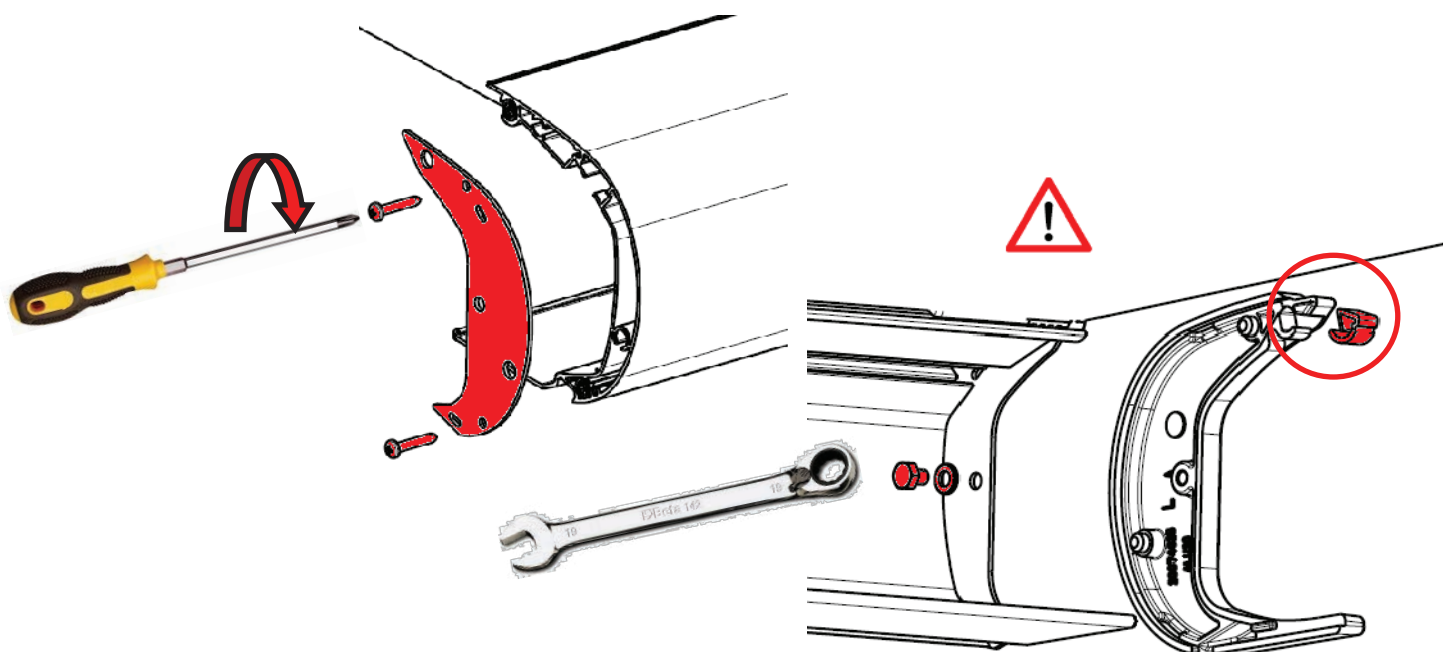
Installation instructions

Positioning distance for the front rail connectors, measured from the end of the front profile to the outer end of the front rail connector



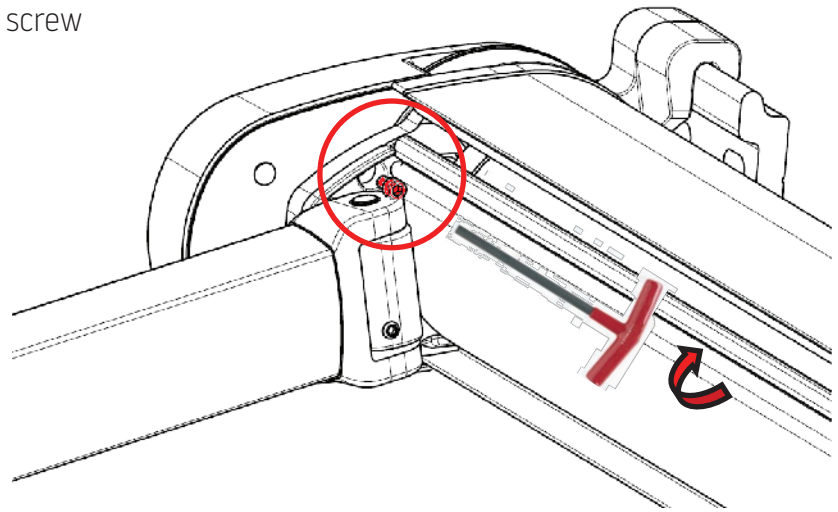
Installation instructions

Place the plates for the front profile

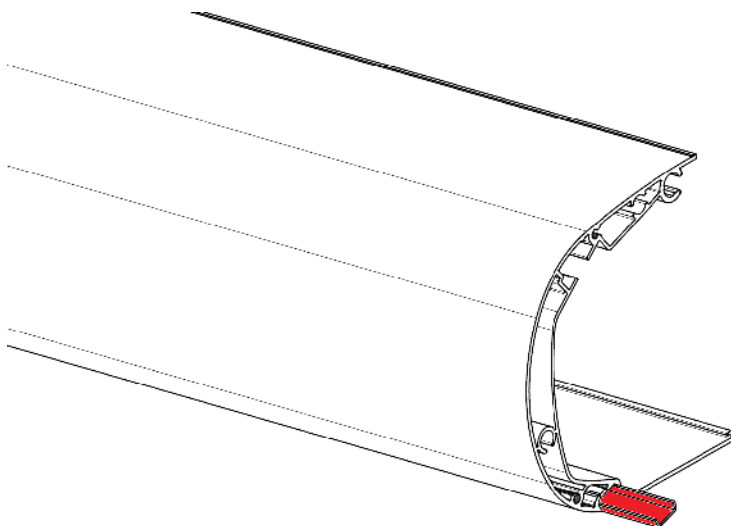


Installation instructions

Fixing the aluminium side cap to the cassette structure with the safety screw



Installation instructions

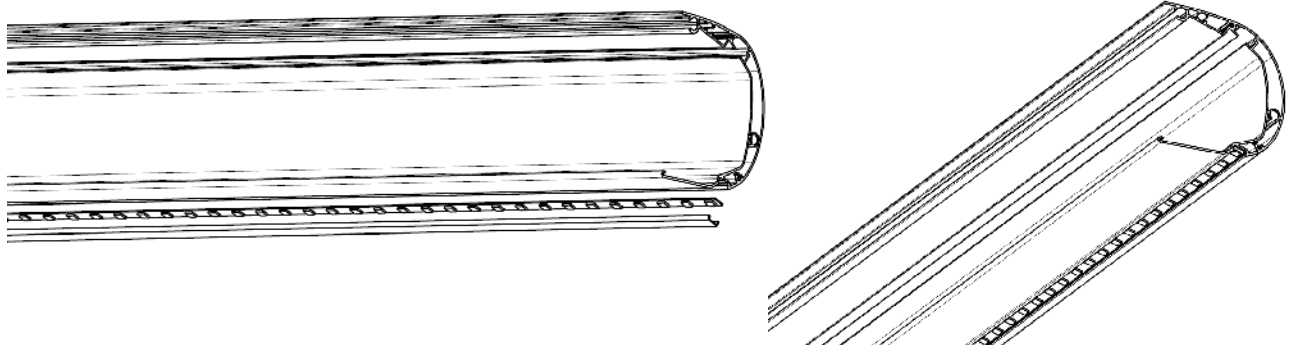


The lower slot in the front profile is equipped with a diffuser profile

The diffuser profile can be placed as a concealment element even if there is no led strip inserted in the slot

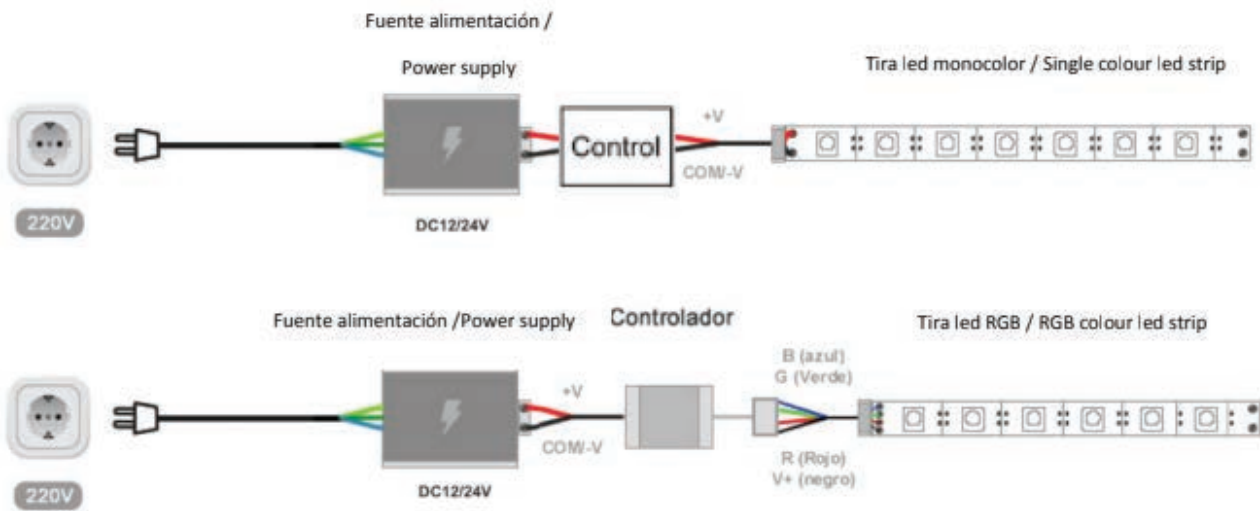
Installation instructions

The led strip can be affixed in the slot through its self-adhesive layer



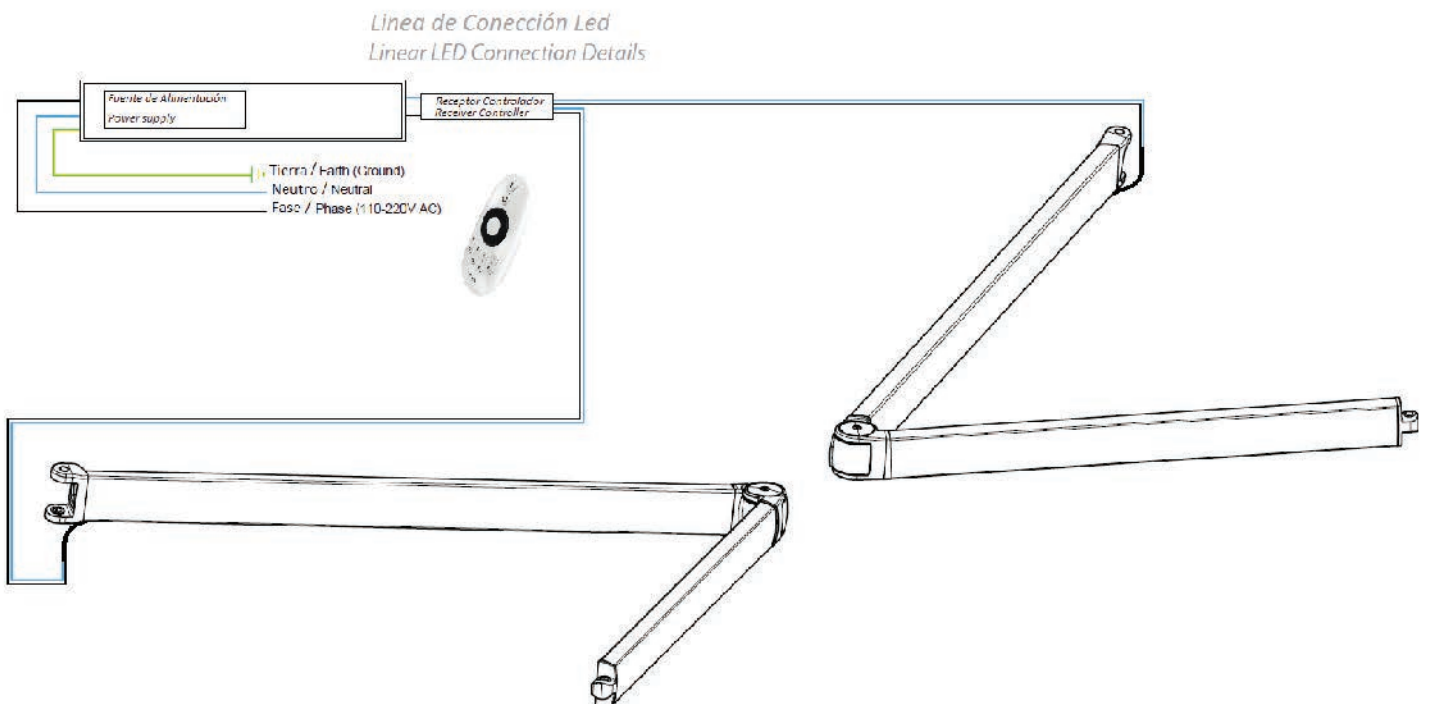
Installation instructions

Wiring examples for led strips operated by hand transmitter



Assembly instructions

Wiring example for led strips installed with ONYX-LUX arms



BASIC NOTES ON ASSEMBLY AND INSTALLATION:

- Assembly and installation should be done by trained personnel.
- **IMPORTANT SAFETY CONSIDERATIONS:** For proper installation of the awning, the instructions for assembly and installation must be carefully followed step by step. Keep plastic bags or any other mounting pieces out of children's reach.
- Do not alter the design or the configuration of the system, nor modify the installation method without consulting the manufacturer or an authorised representative.
- If the awning is motorised and there is a switch, this should be placed so that the user does not interfere with the movement of the awning, and at a height of less than 1.3 metres when possible.
- If the awning is manually operated, it should be accessible at a height of 1.8 metres.
- If the awning is to be installed in windy areas where there are frequent blackouts, manual operation or the use of a back-up generator is recommended.
- When motorised units are inspected or repaired, always disconnect them from the power supply.

BASIC NOTES ON ASSEMBLY AND INSTALLATION:

The awning must be rolled away:



- In the event of ice, if operation is particularly difficult and in the absence of safety measures, stop the operation until more favorable conditions prevail
- During opening and closing, make sure there is no obstacle which could get in the way. **NEVER FORCE THE AWNING!** If the awning does not move at all when you try to operate it, call a professional installer.
- In the case of motorized awnings, it should be borne in mind that the motor features a thermal safety device to avoid overheating and breakdowns. This device is activated when the operating switches are pressed insistently.
- Do not submit the installation to additional loads or stresses not covered by the manufacturer's configuration. Do not interfere with the system's fixing components.
- Examine the installation if it has been subjected to adverse weather conditions, and if any repairs are needed do not use it. In such cases, a professional installer should be called.
- Keep the installation clean and in good condition. A yearly maintenance check by an authorized professional installer is recommended.



IMPORTANT SAFETY INSTRUCTIONS. The system has powerful springs inside it. In the event of poor installation, these may cause the awning to open sharply. If any irregularities are observed during opening and/or closing, call a professional installer. To avoid possible damage, do not allow children to play with the awning.

