



**Sunshade
Experts**

en 27-03-2019

Installation manual

RETTA





THE PERFECT CASSETTE FOR CONTEMPORARY ARCHITECTURE

Contemporary architecture, with its sharp, straight shapes, poses a challenge when it comes to fitting features into the façade. The RETTA cassette system is specially designed with a view to the needs of specifications professionals.

The wall fixing solution of the RETTA, using the Cleverfix (pt) system, offers flexibility and a considerable margin for manoeuvre in installation. The self-retaining clip fitted in the RETTA bracket allows the roller assembly to be hung without having to support its weight during installation.

The RETTA system for self-positioning the slope gives this cassette one of the most advanced technological features in awnings.

Icon legend



Use with sun



Don't use with snow



Don't use with rain



Don't use with hail



Use with sun and rain



Class by N. of cycles



Crank



Motorized



Danger! Strong arm tension



Splendor 300



Splendor 400 Onyx



WIN



ART-500



EVO front profile



Univers front profile



28 Km/h



38 Km/h



Information



Made in Europe



CE standards



Inox



Width



Projection



2 years of warranty

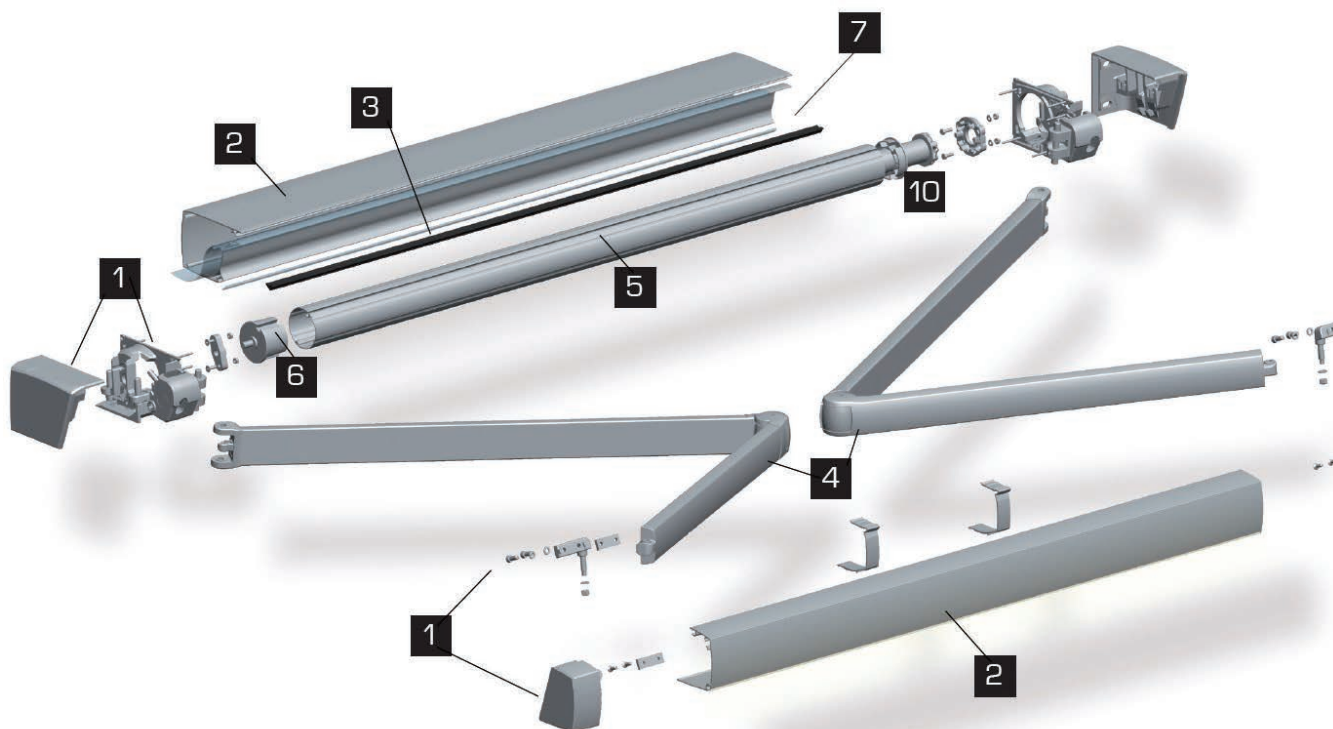


3 years of warranty



Eco-friendly

Product parts

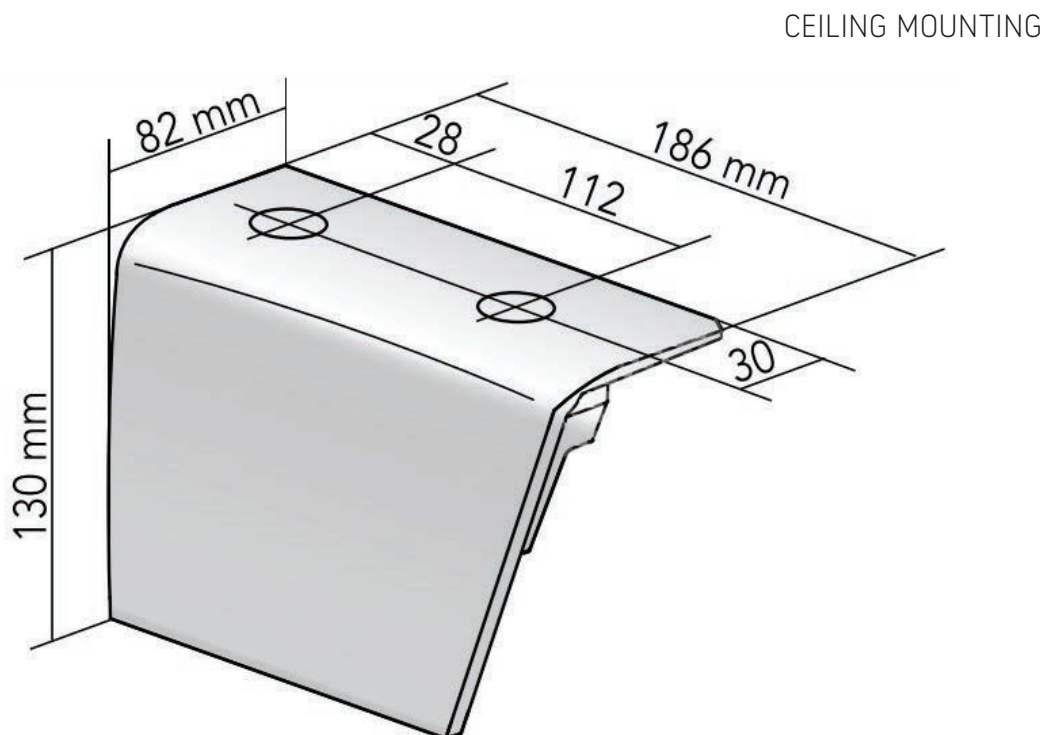
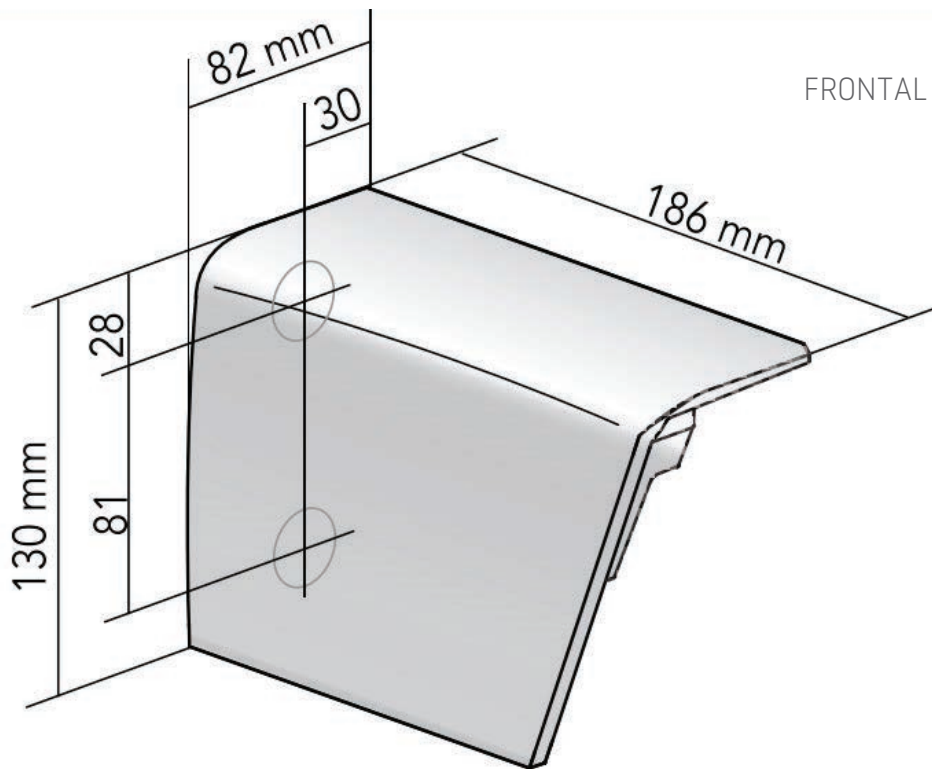


Nomenclature


- 1** Support set and caps Retta
- 2** Cassette profiles kit
- 3** Rubber sealant
- 4** Luxline 400 arms
- 5** Rolling tube
- 6** Roller end bearing
- 7** Led lighting kit with electric transformer
- 8** 4 channels RX
- 9** 4 channels TX
- 10** Motor and coupling

THIS MODEL CAN ALSO BE ASSEMBLED WITH VECTOR ARMS





Allowances for profiles and fabric

		Projection (m)			
		2,00	2,50	3,00	3,50
	Rolling tube Ø 70mm	30 Nm	35 Nm	40 Nm	
	Rolling tube Ø 80mm	40 Nm		50 Nm	



Selection motor table

			
	Arm projection (m)	Width	Class
	3,50	5,00	C.1

Selection motor table



The arms have a protective band for correct identification:

GREEN: Right hand side viewed from outside

RED: Left hand side viewed from outside

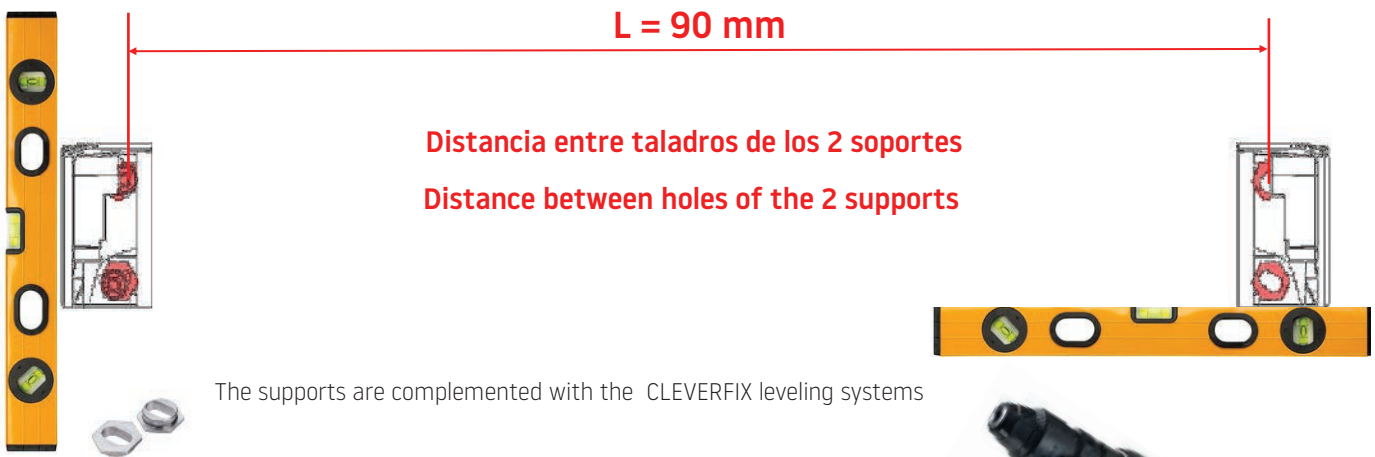


NEVER EXTRACT THE SAFETY TENSION BANDS UNTIL THE ARM HAS BEEN FIXED TO THE FRONT PROFILE.



Compatibilities

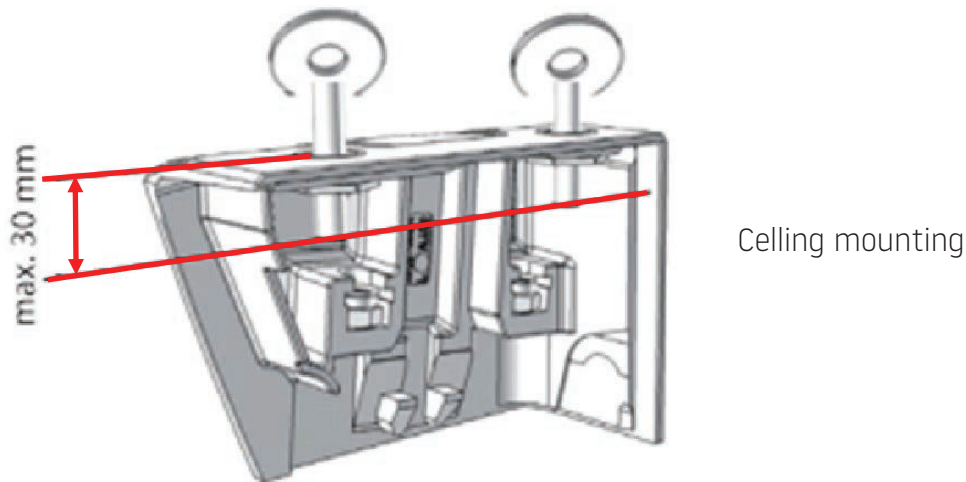
Support fixation; front or ceiling mounting



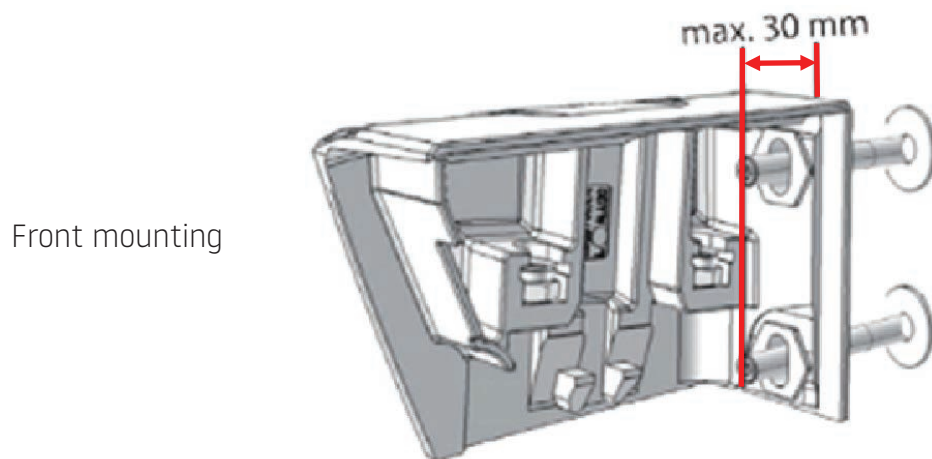
Total width measurement between drill

Assembly instructions

Supports installation front or ceiling



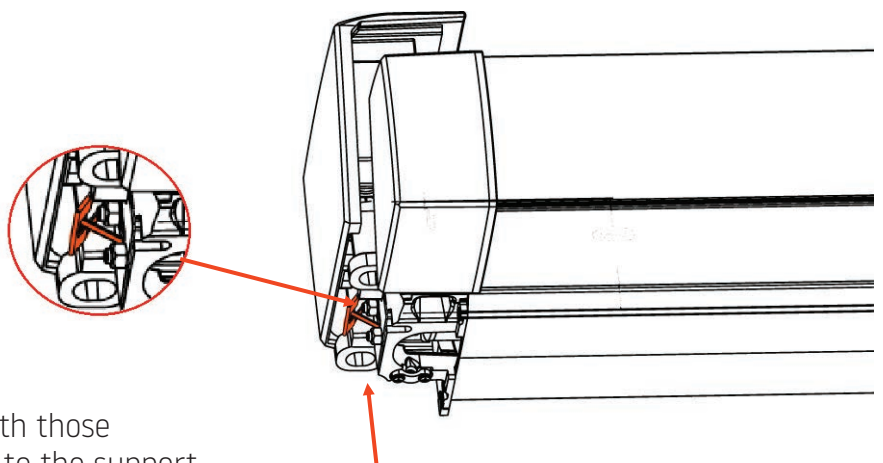
The maximum insertion of the threaded rods inside the support must not exceed 30 mm



Assembly instructions

Both sides are at the same distance parallel to the cap supports

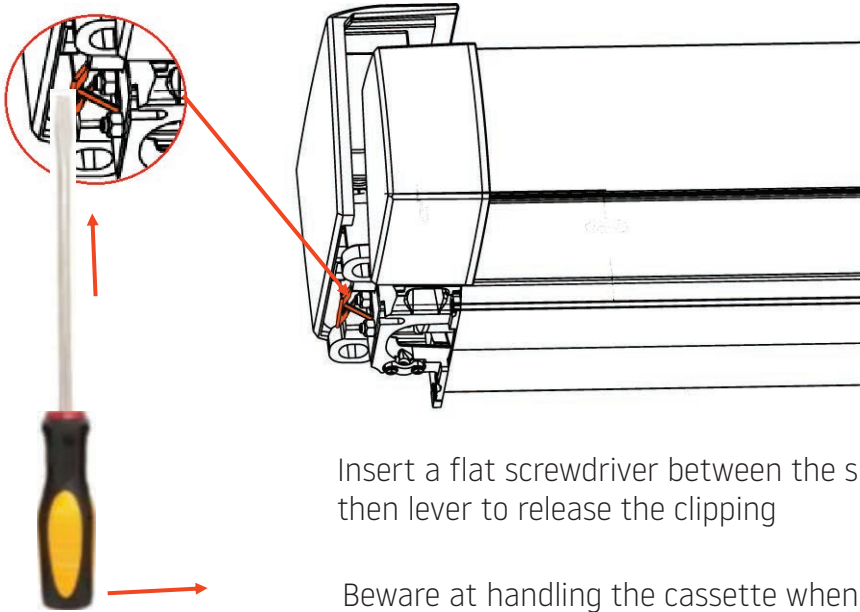
Hung the cassette in parallel
between two people



Match the guides of the support with those
of the awning, and clip the cassette to the support

Assembly instructions

It is possible to unlock the cassette from the support whenever is needed

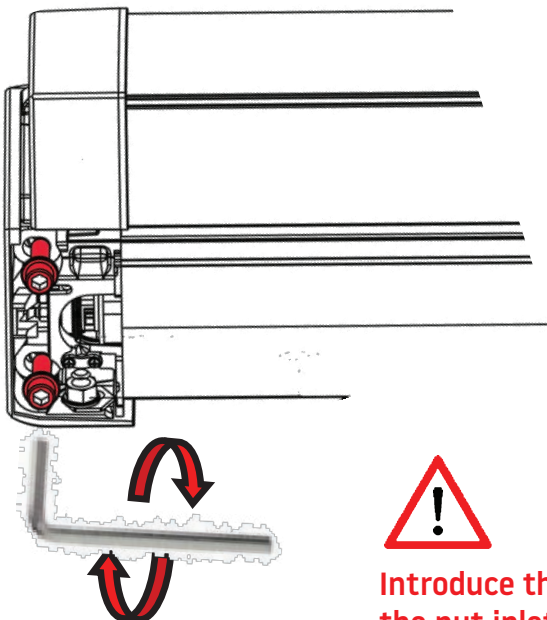


Insert a flat screwdriver between the support and the steel plate, then lever to release the clipping

Beware at handling the cassette when it is not clipped on the steel plate, as it may fall.

Assembly instructions

Fastening the cassette to the side support cup

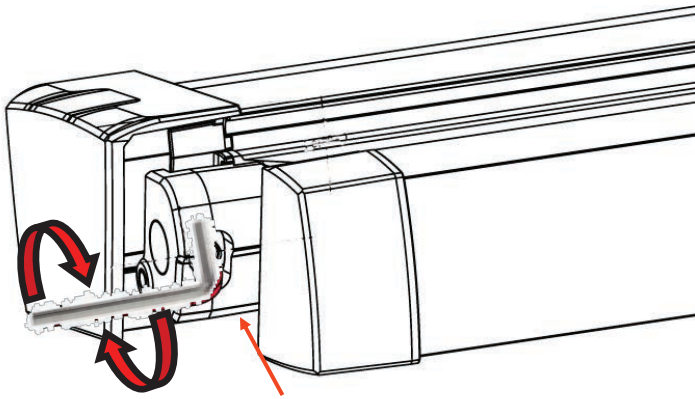


When performing this operation, observe that the cassette rises slightly in order to release the fixing clip from its support function

Introduce the screws by hand in their first turns into the nut inlet in order not to insert them incorrectly

Assembly instructions

Adjust the slope and the alignment through the arm support

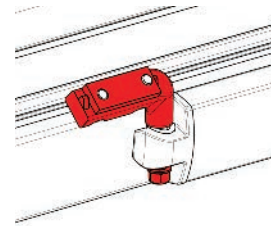
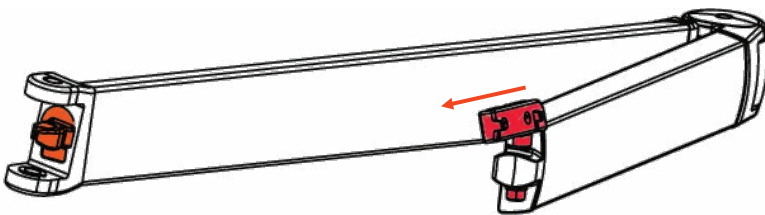


Using an Allen key M-10, turn the front screws of the arm support, as shown in the image

Assembly instructions

IMPORTANT:

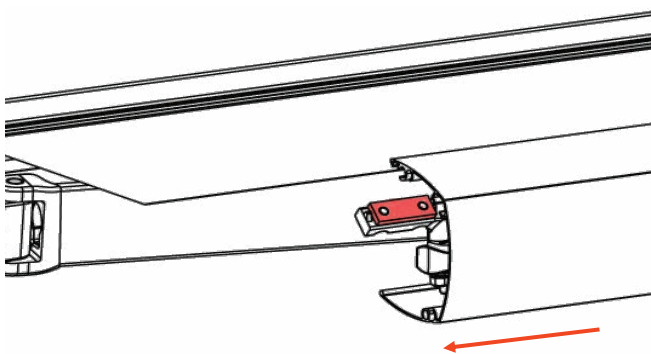
Observe the final position of the front rail connector once it's been placed in its housing



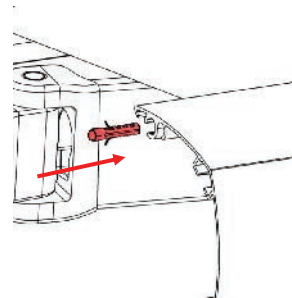
Place the front rail connectors in the arms.

Observe the marks that are stamped in them: "R" for the right arm, "L" for the left arm

Assembly instructions

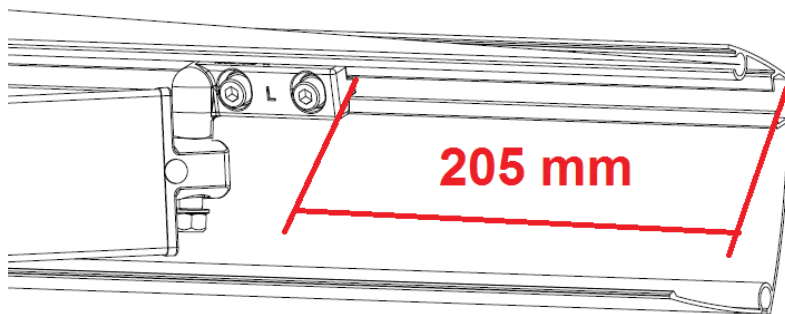


Fixing the fabric at the front profile.



Assembly instructions

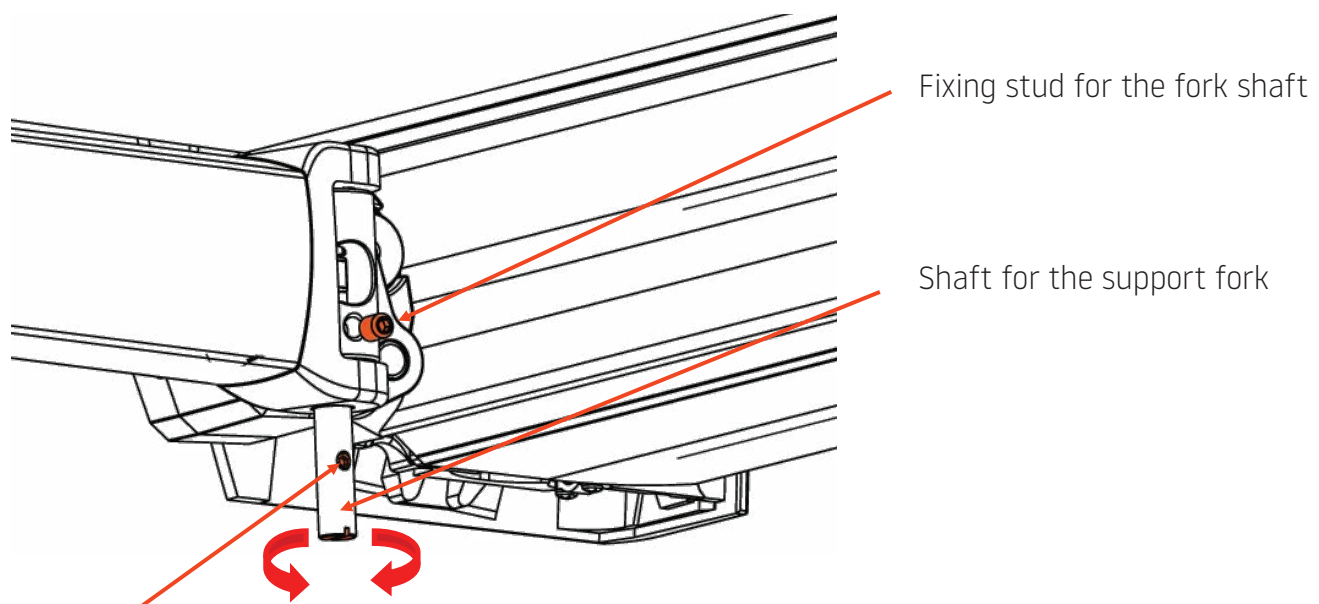
The placement distance for the front rail connectors is 205 mm from the cutting end of the front profile to the end of the front rail connector



This measurement is fine for the following models of arms: Luxline 400, Vector 400,

Assembly instructions

Fixing the arm in the arm support each side

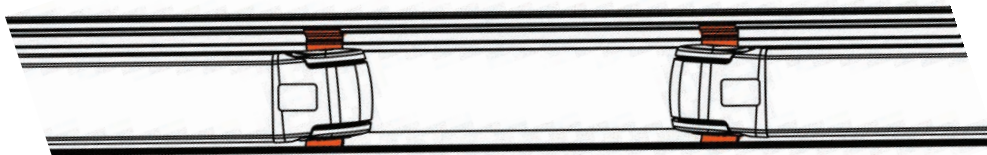


Threaded shaft to adjust arms alignment in parallel

By means of a flat screwdriver turn the shaft until the asparagus is seen through the hole in the arm support

Assembly instructions

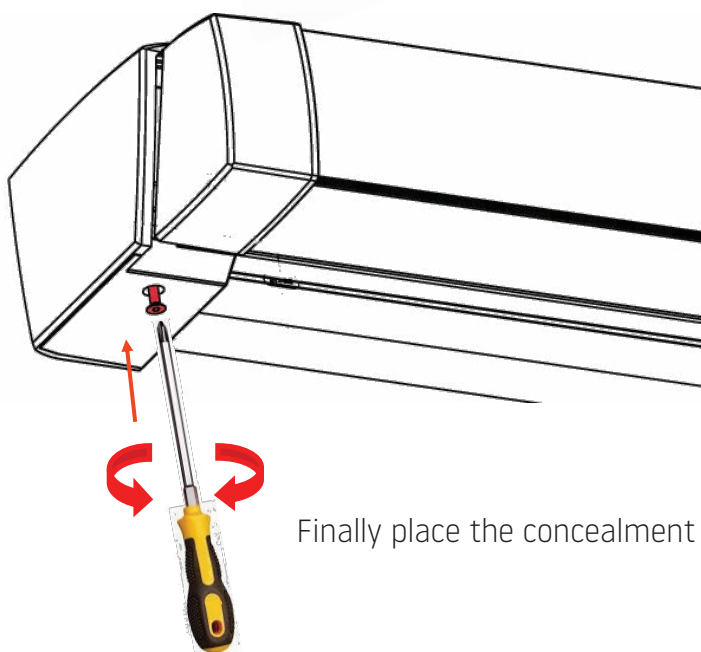
Press the sliders into the front profile, making them match with the position of the elbow, when the cassette closes



ATTENTION:

The sliders will help the cassette to close perfectly provided they are in their proper placement

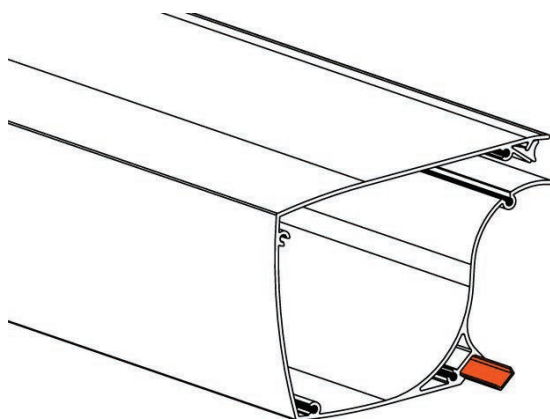
Assembly instructions



Finally place the concealment lower cap in each of the side supports

Assembly instructions

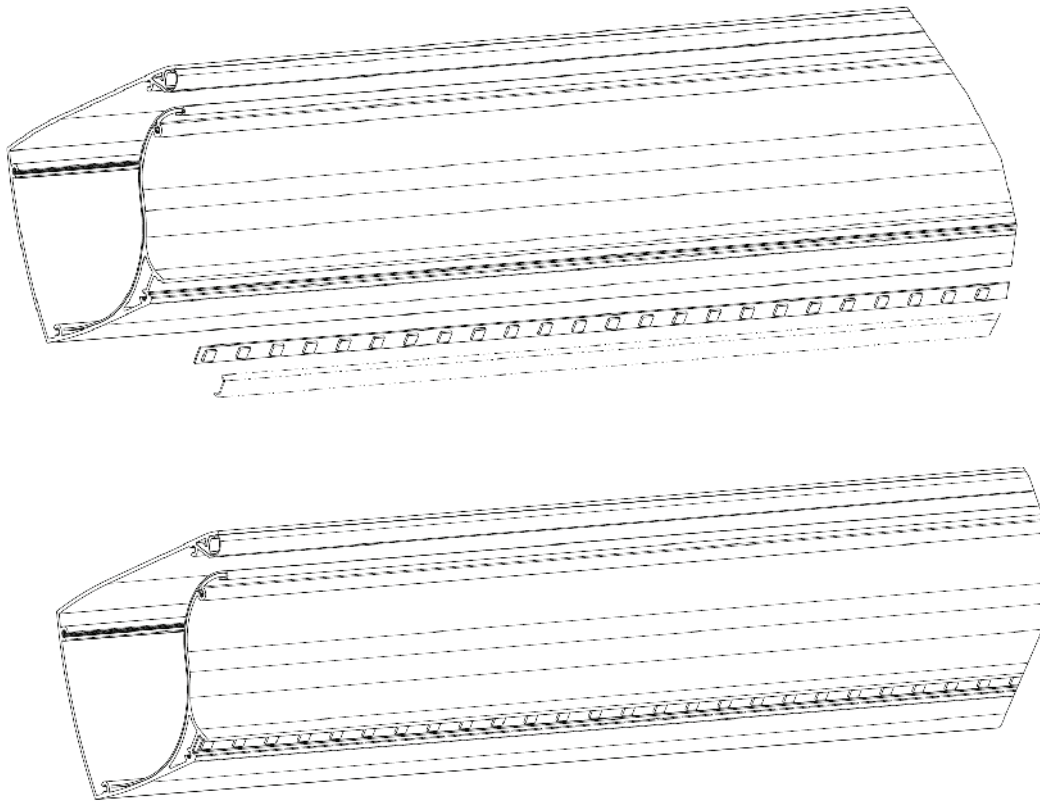
The slot for the plastic diffuser profile is placed in the lower front part of the cassette profile



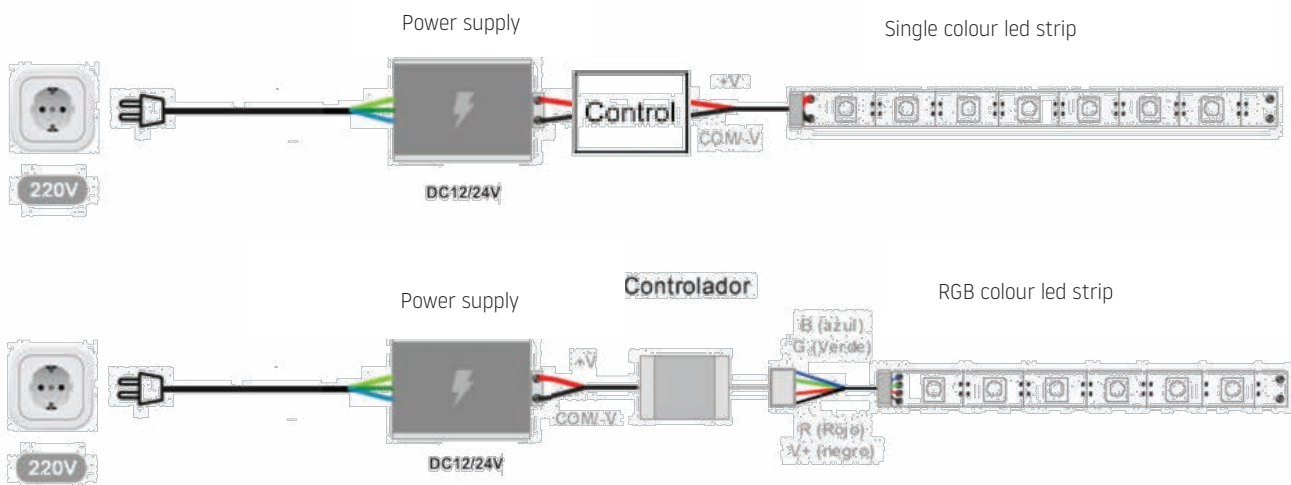
The diffuser profile can be placed as a concealment element even if there is no led strip inserted in the slot

This led lighting system can be managed through a radio transmitter

The led strip sticks in the slot through its self-adhesive layer



Connection examples for led strips operated by hand transmitter



BASIC NOTES ON ASSEMBLY AND INSTALLATION:

- Assembly and installation should be done by trained personnel.
- **IMPORTANT SAFETY CONSIDERATIONS:** For proper installation of the awning, the instructions for assembly and installation must be carefully followed step by step. Keep plastic bags or any other mounting pieces out of children's reach.
- Do not alter the design or the configuration of the system, nor modify the installation method without consulting the manufacturer or an authorised representative.
- If the awning is motorised and there is a switch, this should be placed so that the user does not interfere with the movement of the awning, and at a height of less than 1.3 metres when possible.
- If the awning is manually operated, it should be accessible at a height of 1.8 metres.
- If the awning is to be installed in windy areas where there are frequent blackouts, manual operation or the use of a back-up generator is recommended.

BASIC PRECAUTIONS FOR SAFE HANDLING OF THE AWNING:

The awning must be rolled away:



- In the event of ice, if operation is particularly difficult and in the absence of safety measures, stop the operation until more favorable conditions prevail
- During opening and closing, make sure there is no obstacle which could get in the way. **NEVER FORCE THE AWNING!** If the awning does not move at all when you try to operate it, call a professional installer.
- In the case of motorized awnings, it should be borne in mind that the motor features a thermal safety device to avoid overheating and breakdowns. This device is activated when the operating switches are pressed insistently.
- Do not submit the installation to additional loads or stresses not covered by the manufacturer's
- Configuration. Do not interfere with the system's fixing components.
- Examine the installation if it has been subjected to adverse weather conditions, and if any repairs are needed do not use it. In such cases, a professional installer should be called.
- Keep the installation clean and in good condition. A yearly maintenance check by an authorized professional installer is recommended.



IMPORTANT SAFETY INSTRUCTIONS. The system has powerful springs inside it. In the event of poor installation, these may cause the awning to open sharply. If any irregularities are observed during opening and/or closing, call a professional installer. To avoid possible damage, do not allow children to play with the awning.

